

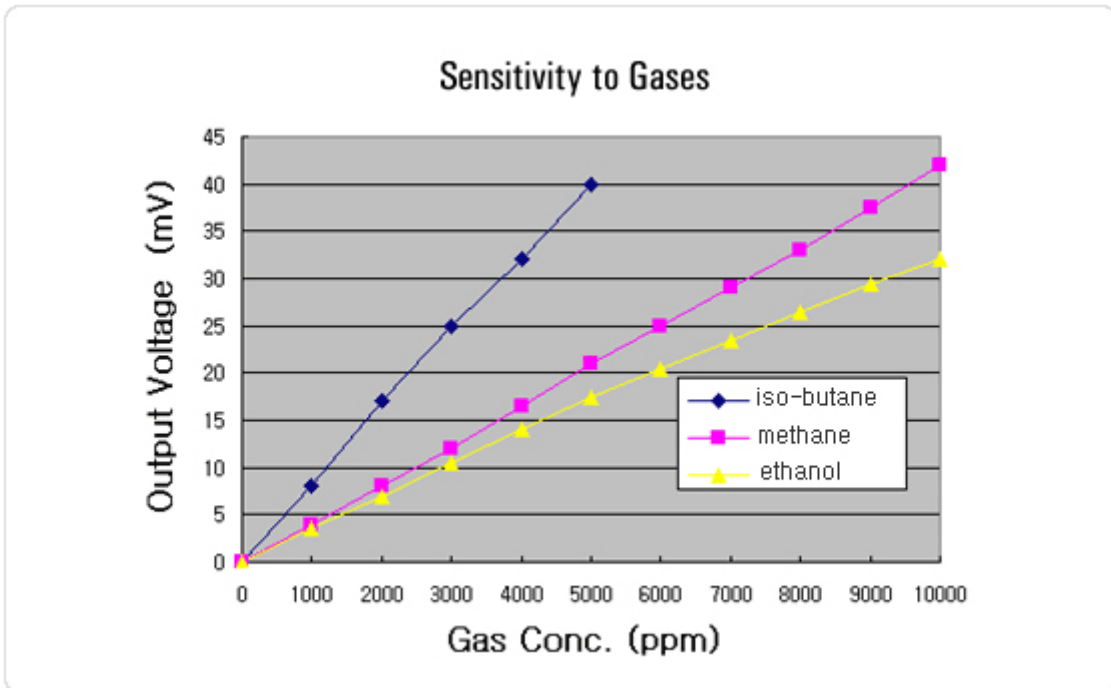
● KGS 601



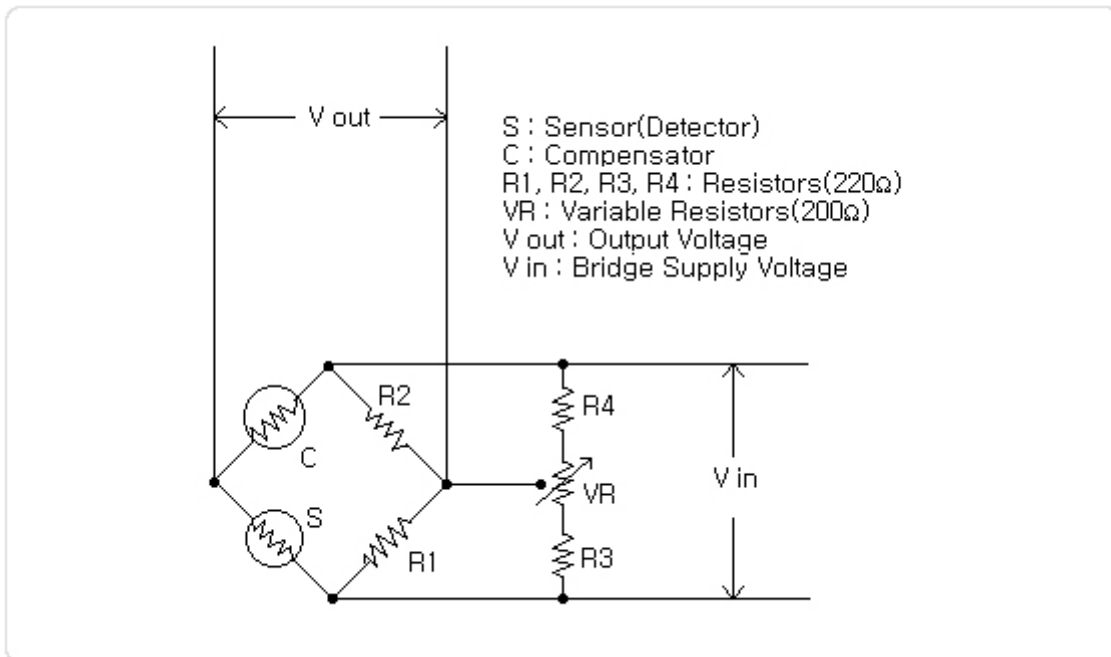
■ Specifications

|                     |   |
|---------------------|---|
| Gases Detected      | Most combustible gases  |
| Range               | 0 ~ 100% LEL  |
| Application         | - General use<br>- High shock resistance  |
| Operating Voltage   | 2.40 ± 0.1 V  |
| Current             | > 180 mA  |
| Output Sensitivity  | 12-16 mV / CH <sub>4</sub> 4000ppm<br>12-14 mV / C <sub>4</sub> H <sub>10</sub> 2000ppm |
| Response Time       | < 10 seconds  |
| Ambient Temp. Range | -20°C ~ 50°C  |
| Storage Temp. Range | -30°C ~ 70°C  |

■ Sensitivity Data



■ Basic Measuring Circuit



■ Structure and Materials

